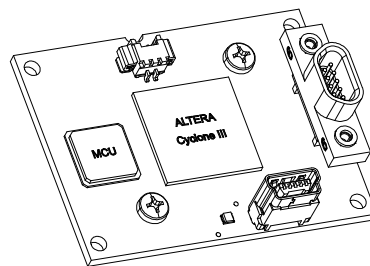


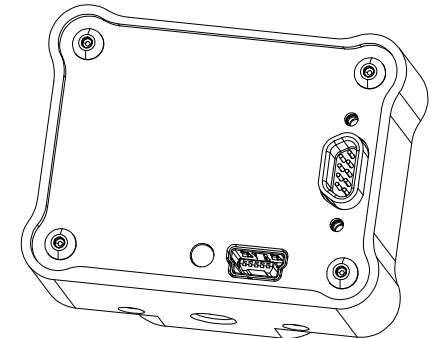
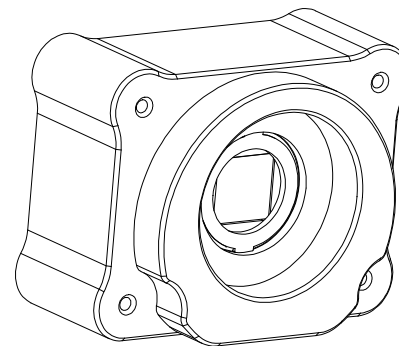
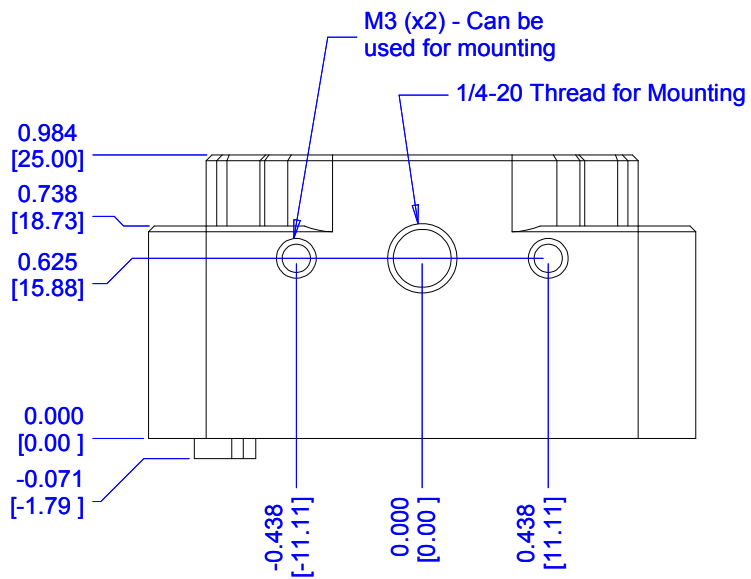
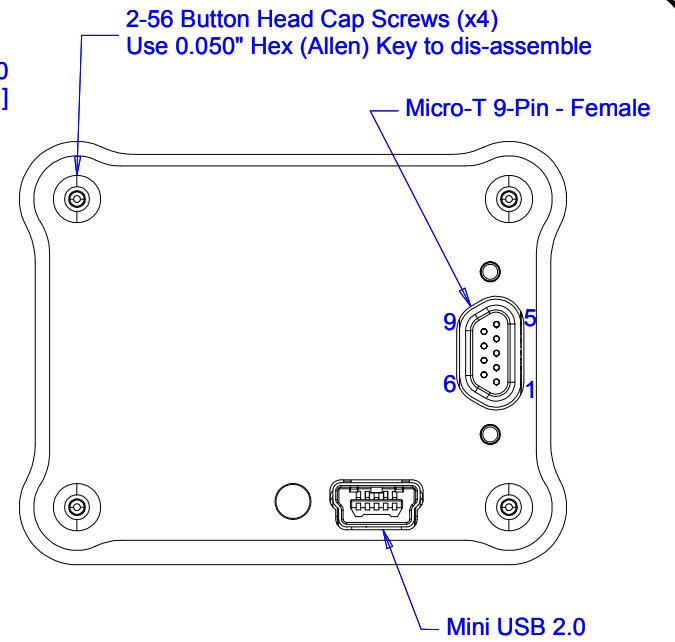
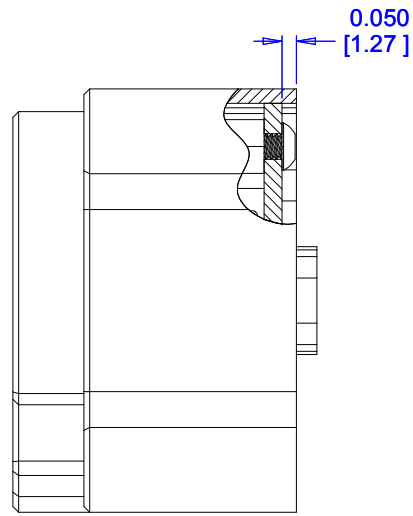
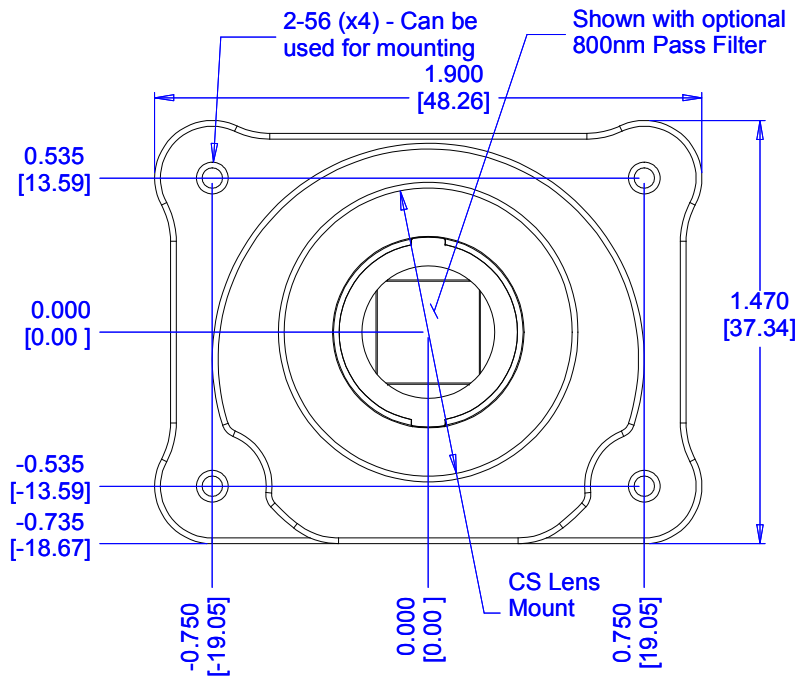
SCALE: 1:1



SCALE: 1:1

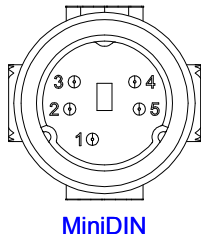
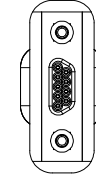
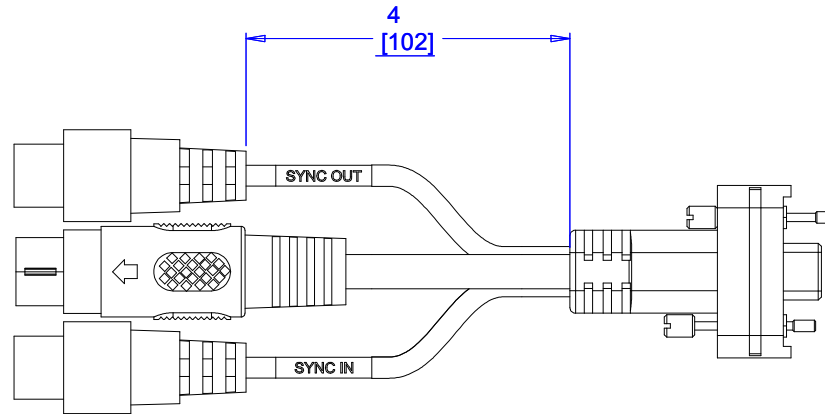
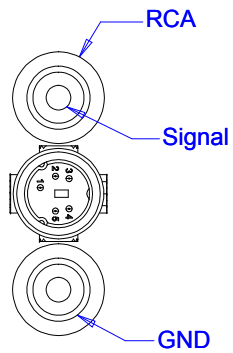
SCALE: 3:2
INCH [MM]

SLIM PCB
OptiTrack V120:SLIM
NaturalPoint
5-2-11

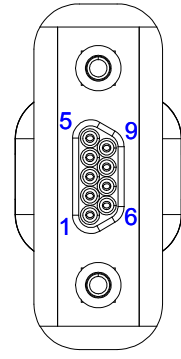


SCALE: 3:2
INCH [MM]

SLIM Enclosure
OptiTrack V120:SLIM
NaturalPoint
2-5-10

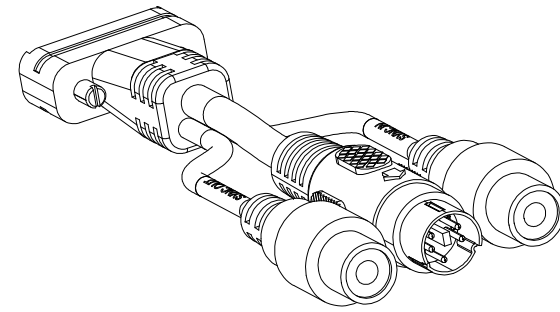
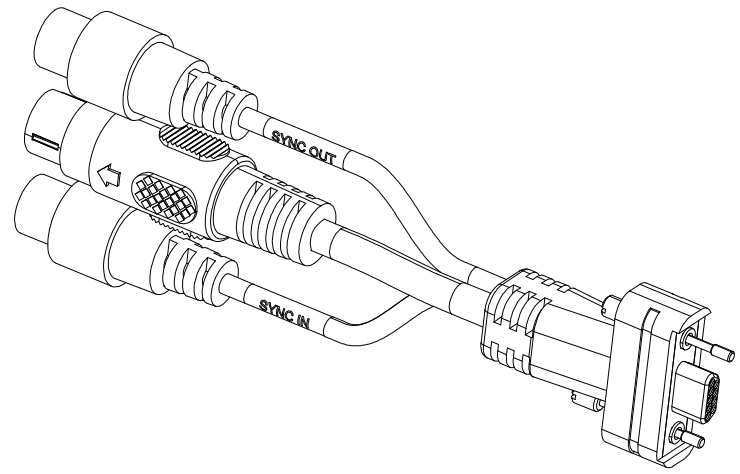


- 1: GND
- 2: AUX_OUT
- 3: VCAP_OUT
- 4: IRLED_CTRL_OUT
- 5: 3.3V



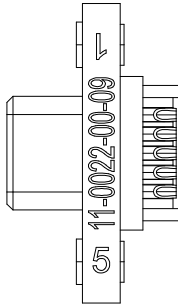
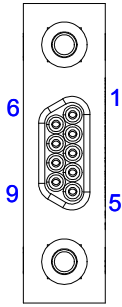
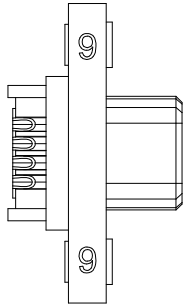
- 1: GND
- 2: IRLED_CTRL_OUT
- 3: AUX_OUT
- 4: GND
- 5: GND
- 6: VCAP_OUT
- 7: 3.3V
- 8: EXT_SYNC_IN
- 9: EXT_SYNC_OUT

NOTE:
 #4 GND is paired with #8 EXT_SYNC_IN
 #5 GND is paired with #9 EXT_SYNC_OUT



INCH [MM]

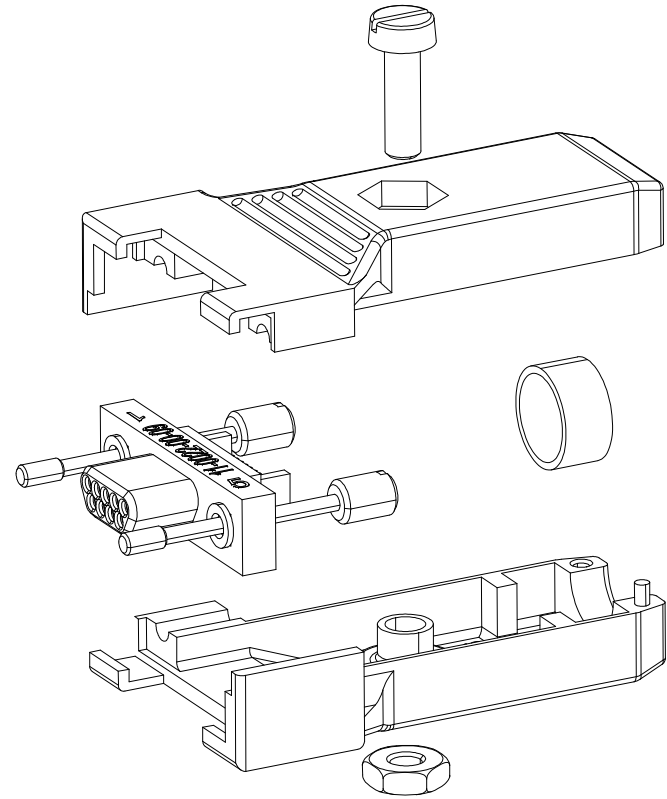
Wiring Diagram
 Breakout Cable
 V120:SLIM
 NaturalPoint
 2-8-10



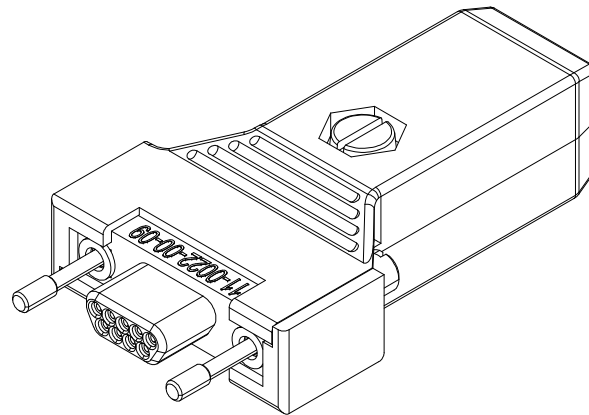
- 1: GND
- 2: IRLED_CTRL_OUT
- 3: AUX_OUT
- 4: GND
- 5: GND
- 6: VCAP_OUT
- 7: 3.3V
- 8: EXT_SYNC_IN
- 9: EXT_SYNC_OUT

NOTE:

#4 GND should be paired with #8 EXT_SYNC_IN
#5 GND should be paired with #9 EXT_SYNC_OUT



Cable Hood Assembly



Wiring Diagram
Custom Breakout Cable
V120:SLIM
NaturalPoint
2-8-10