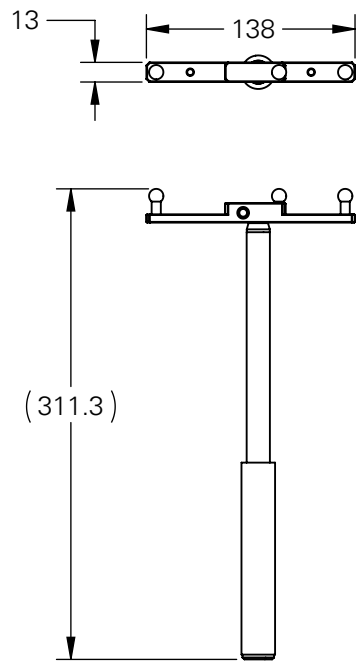
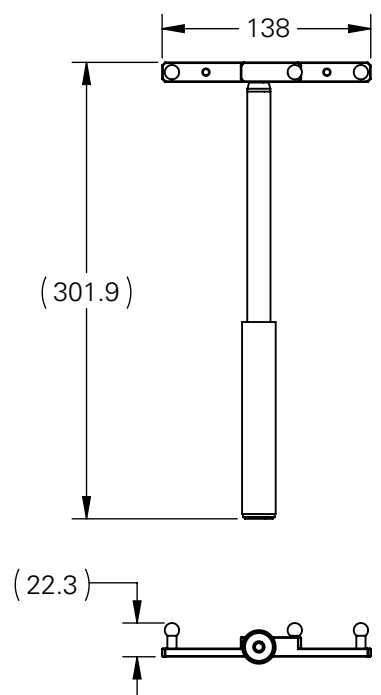


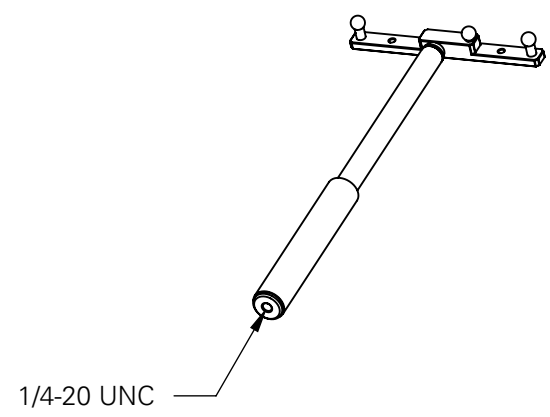
Standard Orientation



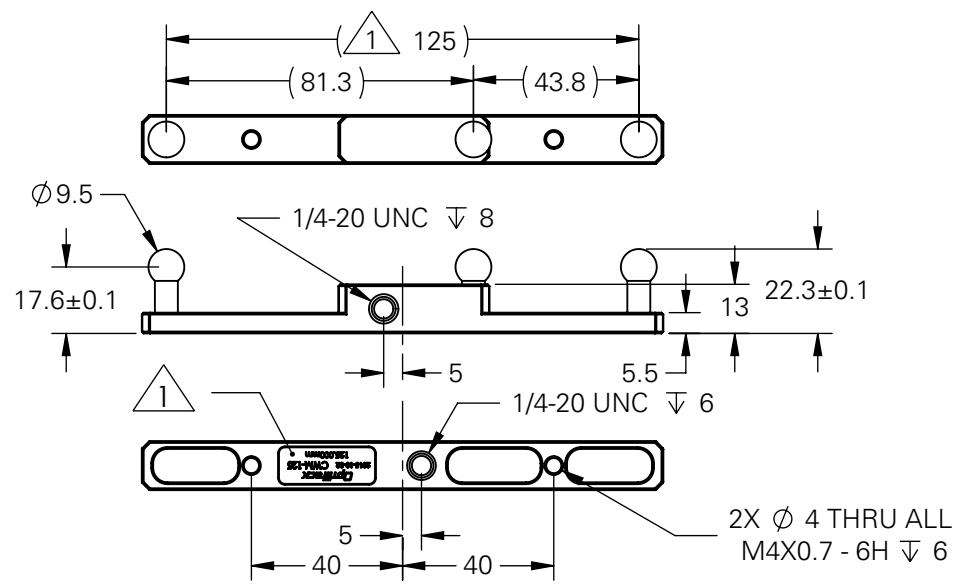
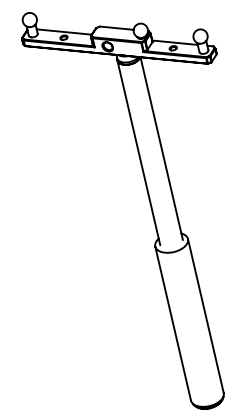
Alternate Orientation



Alternate Orientation



Standard Orientation



1 Measured marker distance recorded on label has a tolerance of ±0.007 mm

<b>OptiTrack</b>	CWM-125 Technical Drawing		
	Tolerance (mm): (X) = Ref. X = ±0.05	Rev. A	Date of Issue 10/07/2015
			Sheet 1 OF 1